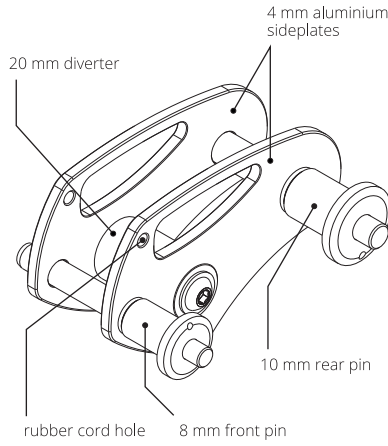
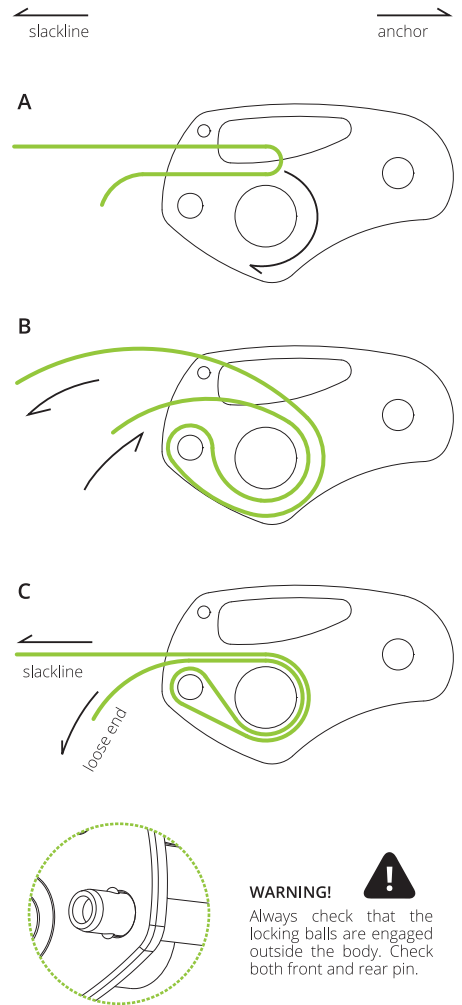
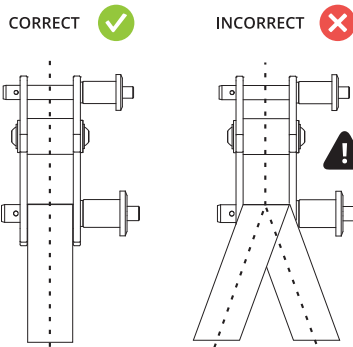


1. PRODUCT DESCRIPTION



MITHRIL is a 25 mm webbing anchoring device designed for usage with a soft release. That means the rear pin must be always loaded only in 1 axis - the center line between both sideplates. Triloding decreases strength of the device and might lead to its failure.



WARNING!
Always check that the locking balls are engaged outside the body. Check both front and rear pin.

MITHRIL
user manual

READING AND UNDERSTANDING
instruction for use are required to use this product.

3. WEBBING INSTALLATION

- A**
Make a bend on webbing at the place you want to anchor. Put it inside Mithril (make sure you put it in Under the rubber cord, not above) between the diverter and rear pin. Wrap the bend around the main diverter. Slide the front pin out of the body and place the bend on the webbing between the holes in sideplates. Now slide the front pin back on the device so it goes through the bend.
- B**
Now you can pretension the main line by hand (pull out the loose end of webbing, while feeding the top layer inside Mithril) or by using the „Buckingham“ tensioning method (using a line grabbing device and a webbing pulley).
- C**
After tensioning the main line, always tie off the loose end of webbing to an anchor point using a releasable knot.

4. SOFT RELEASE INSTALLATION

(scheme on previous page)

For a soft release use a properly sewn piece of webbing with protected eye-loop (padded with tubular webbing or double layer loop).

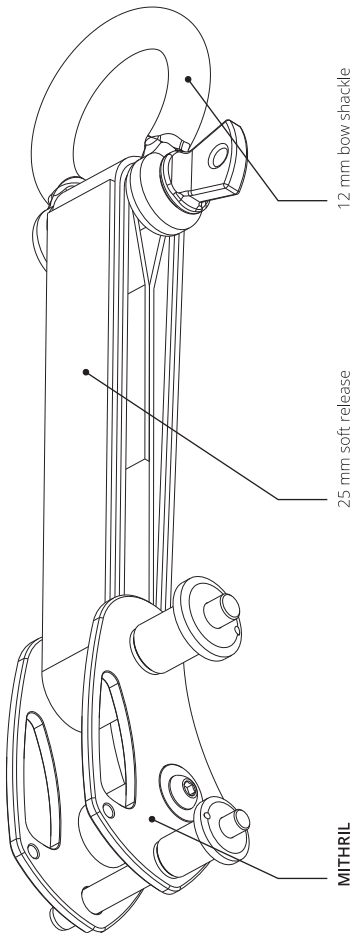
Always use at least 5-6 wraps (depending on the strength of the webbing and desired WLL of the whole system). To tie-off the end of soft release, use a releasable knot or another secure method (such as 1-inch cam buckle etc.)

Always put the sewn loop in the shackle side. This way you eliminate the danger of unscrewing the shackle's pin while releasing the soft release.

5. ⚠ WARNING

Mithril is not certified for usage in heights (due to lack of any slackline specific standards at the moment).

2. SOFT RELEASE SCHEME



5. SAFETY INSTRUCTIONS

For slacklining only. Understand and accept the risks involved before participating. You are responsible for your own actions and decisions. Before using this product, read and understand all instructions and warnings that accompany it and familiarize yourself with its proper use, capabilities and limitations. Contact Equilibrium Slacklines if you are uncertain about how to use this product. Do not modify this product in any way. Check the conditions of product components before and after each use. Failure to read and follow these warnings can result in severe injury or death!

Slacklining gear must not come into contact with corrosive materials such as battery acid, battery fumes, solvents, chlorine bleach, isopropyl alcohol or gasoline. Always rinse the product with fresh water and dry it perfectly after contact with salt water. Store in a dry place.

6. PRODUCT SPECIFICATIONS

MITHRIL TECHNICAL SPECIFICATIONS:	
WLL	12 kN
MBS	40 kN
weight	165 / 175 g
sideplates width	4 mm
diverter diameter	20 mm
inner width	26 mm

7. CONTACTS

Need help? Any questions?
Comments, compliments, complaints?
Check out www.eqb.cz, or write us at info@eqb.cz

