

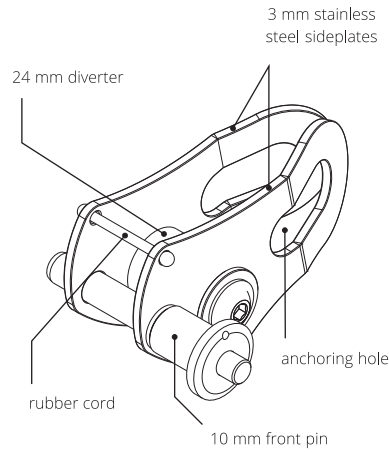


PIRAT

user manual

READING AND UNDERSTANDING
instruction for use are required to use this product.

1. PRODUCT DESCRIPTION



2. WEBBING INSTALATION

A

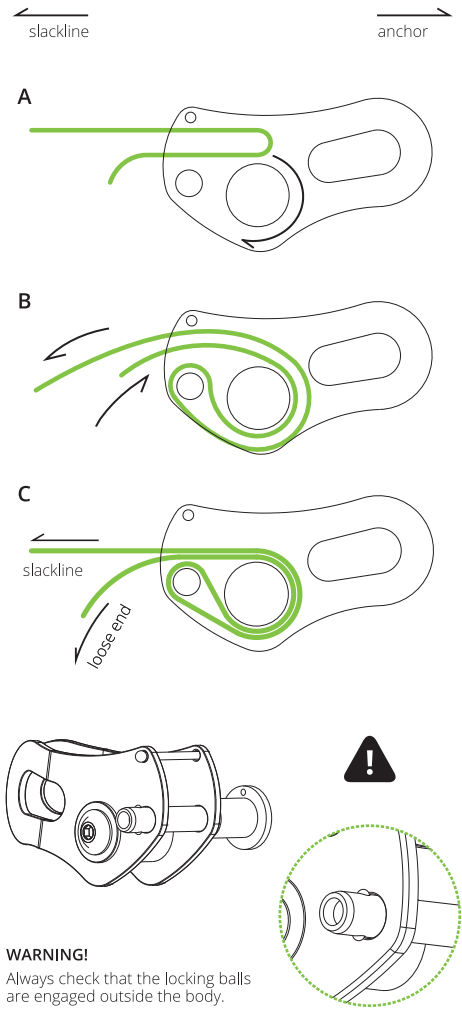
Make a bend on webbing at the place you want to anchor. Put it inside PIRAT (make sure you put it in UNDER the rubber cord, not above) between the diverter and rear pin. Wrap the bend around the main diverter. Slide the front pin out of the body and place the bend on the webbing between the holes in sideplates. Now slide the front pin back on the device so it goes through the bend.

B

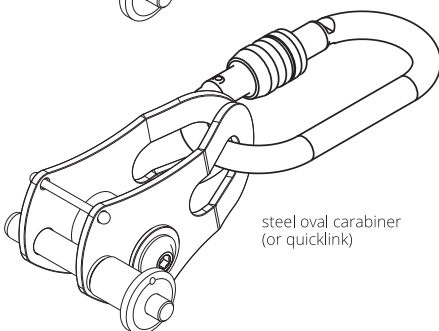
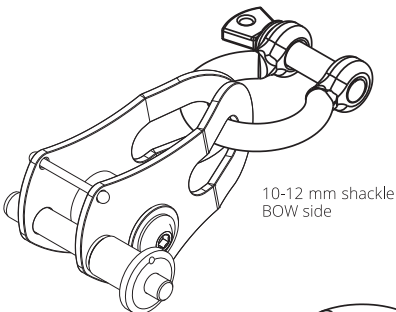
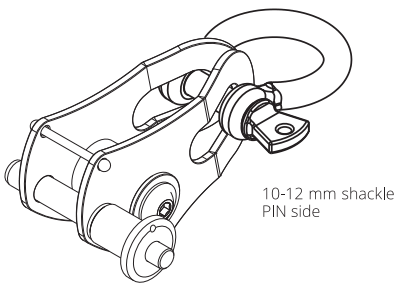
Now you can pretension the main line by hand (pull out the loose end of webbing, while feeding the top layer inside PIRAT) or by using the "Buckingham" tensioning method (using a line grabbing device and a webbing pulley).

C

After tensioning the main line, always tie off the loose end of webbing to an anchor point using a releasable knot.



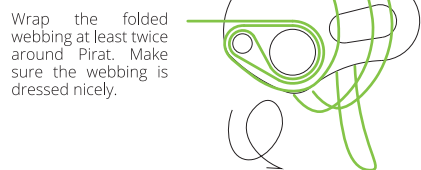
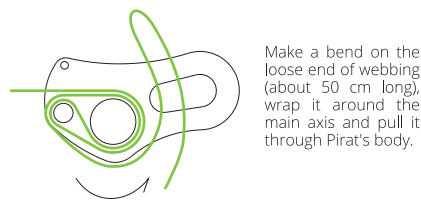
3. APPROVED CONNECTORS



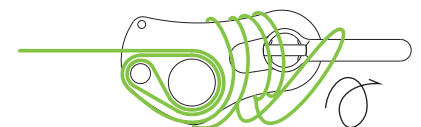
PIRAT is a 25 mm webbing anchoring device designed for direct attachment to the anchor. The rubber cord helps to keep the webbing inside the device in all conditions. Always tie a releasable knot on the loose end of webbing to prevent microslippage and tail-walking.

4. ANTI-SLIPPAGE TIE-OFF

To prevent micro slippage, always tie-off the loose end of slackline with a releasable knot after you tensioned the line. Please keep in mind that the tied-off webbing will get tight, so make sure you will be able to untie it later.



Tie the fold webbing to the shackle with a releasable knot. You can also tie-off the rest of webbing to the anchor sling.



5. SAFETY INSTRUCTIONS

For slacklining only. Understand and accept the risks involved before participating. You are responsible for your own actions and decisions. Before using this product, read and understand all instructions and warnings that accompany it and familiarize yourself with its proper use, capabilities and limitations. Contact Equilibrium Slacklines if you are uncertain about how to use this product. Do not modify this product in any way. Check the conditions of product components before and after each use. Failure to read and follow these warnings can result in severe injury or death!

Slacklining gear must not come into contact with corrosive materials such as battery acid, battery fumes, solvents, chlorine bleach, isopropyl alcohol or gasoline. Always rinse the product with fresh water and dry it perfectly after contact with salt water. Store in a dry place.

6. PRODUCT SPECIFICATIONS

MITHRIL TECHNICAL SPECIFICATIONS:	
WLL	10 kN
MBS	50 kN
weight	275 g
sideplates width	3 mm
diverter diameter	24 mm
inner width	26 mm

7. CONTACTS

Need help? Any questions?
Comments, compliments, complaints?

Check out www.eqb.cz, or write us at info@eqb.cz

